



Paulmann

Safety Instructions

1, 2, 3, 4, 5, 6, 7, 8, 28, 33, 34



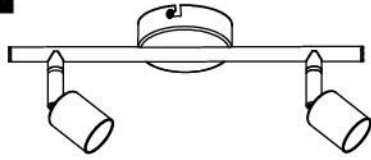
Info

www.paulmann.com

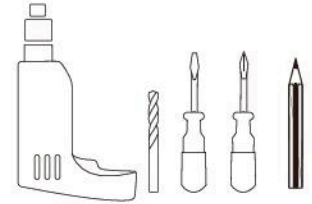
Paulmann Licht GmbH
Quezinger Feld 2
31832 Springe
Germany

www.paulmann.com

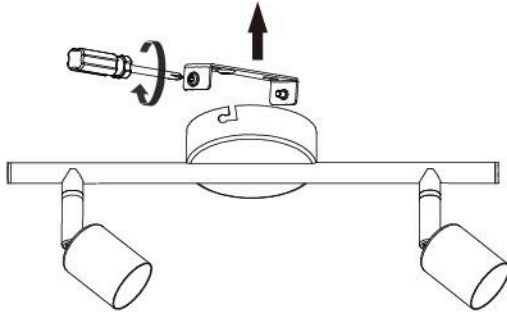
Art.-Nr. : 667.44
(+MA 326) PUP 12/18



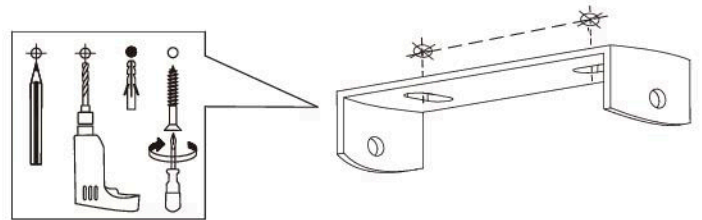
Incl.



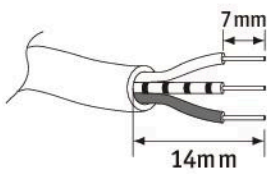
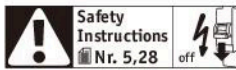
A



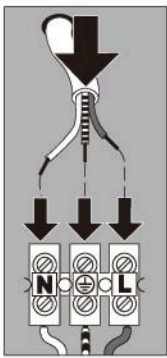
B



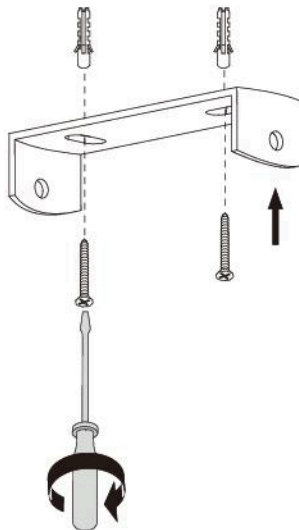
C



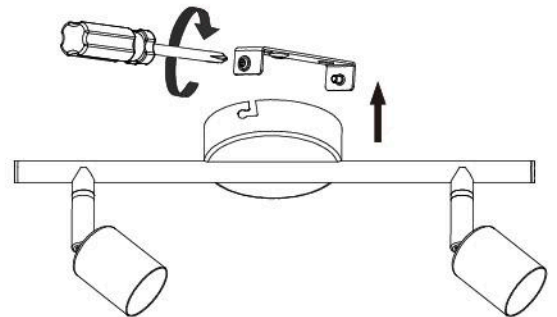
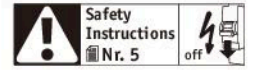
230V



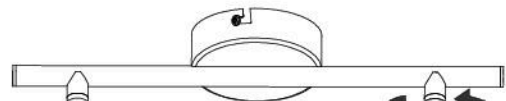
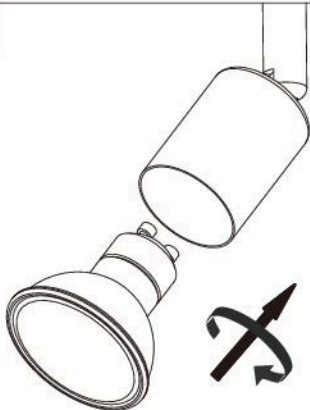
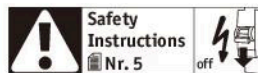
D



E



F



325°

90°

>0.5m = ---0.5m