



### Safety Instructions

0, 1, 4, 6, 7, 9, 11,  
15, 18, 22, 26, 27,



### Info Hotline



**+49 (0) 5041 998 389**

Mon. - Do. 7<sup>00</sup> - 20<sup>00</sup>  
Fr. 7<sup>00</sup> - 17<sup>00</sup>

Paulmann Licht GmbH  
Quezinger Feld 2  
31832 Springe  
Germany

[www.paulmann.com](http://www.paulmann.com)

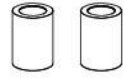
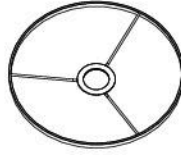
Art.-Nr.: 95364

95365

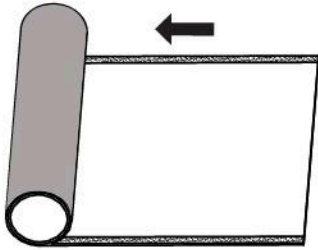
95366

95367

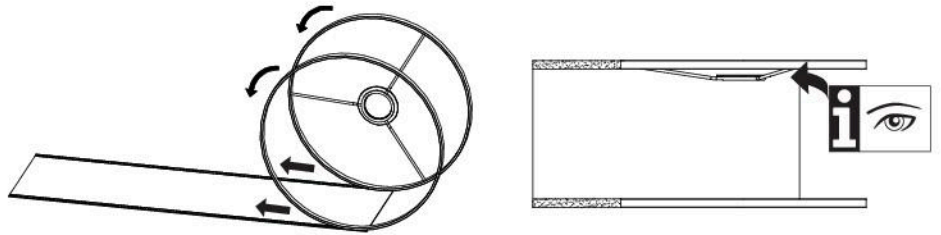
(+MA 173) PEV 03/16



**A**



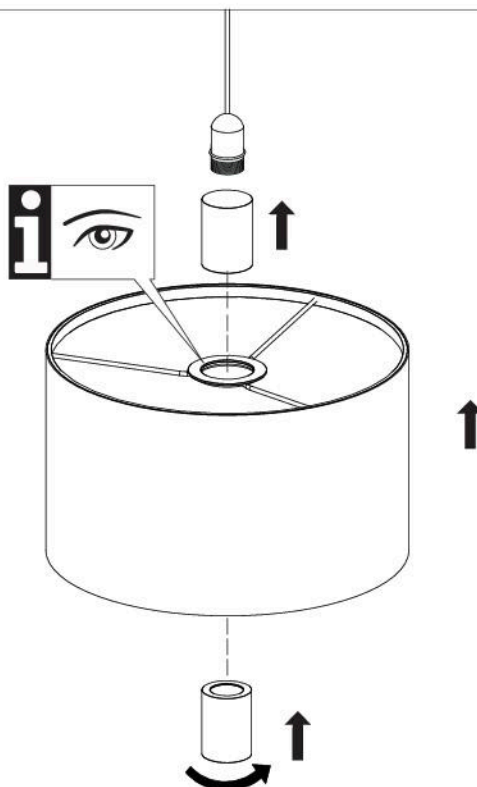
**B**



**C**



**D**



 Safety  
Instructions  
Nr. 0

