



Safety Instructions

0, 1, 4, 6, 7, 9, 11,
15, 18, 22, 26, 27,



Info Hotline



+49 (0) 5041 998 389

Mon. - Do. 7⁰⁰ - 20⁰⁰
Fr. 7⁰⁰ - 17⁰⁰

Paulmann Licht GmbH
Quezinger Feld 2
31832 Springe
Germany

www.paulmann.com

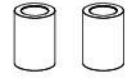
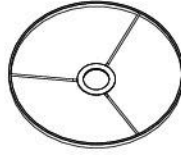
Art.-Nr.: 95465

95466

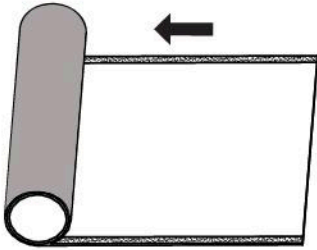
95467

95468

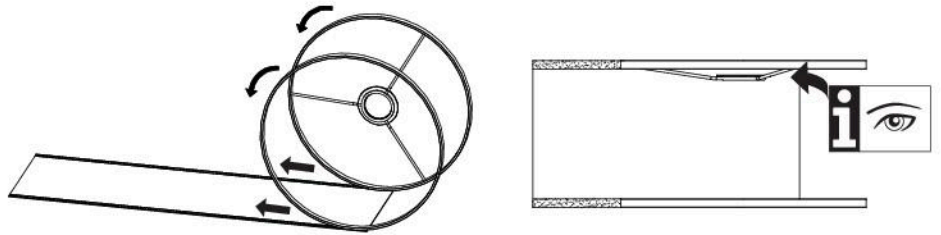
(+MA 173) PEV 03/16



A



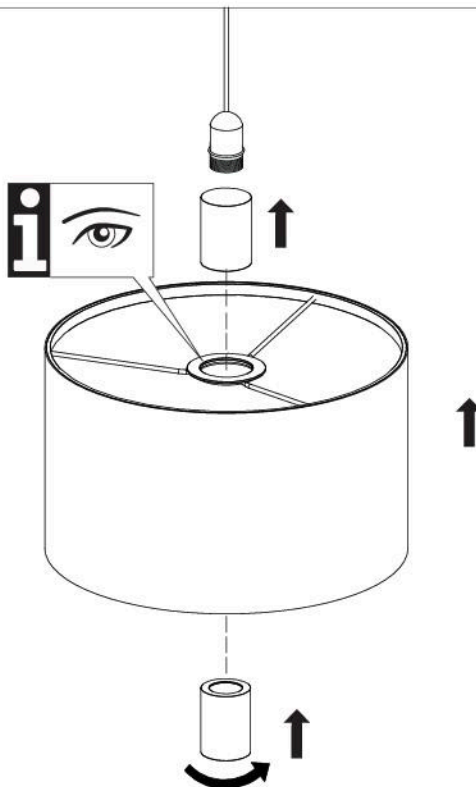
B



C



D



Safety Instructions
Nr. 0

