



Safety Instructions



0,1,4,6,11,15,22



Info Hotline **+49 (0) 5041 998 389**

Mon. - Do. 7⁰⁰ - 20⁰⁰


Fr. 7⁰⁰ - 17⁰⁰

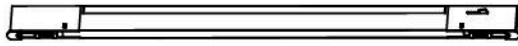


Paulmann Licht GmbH
Quezinger Feld 2
31832 Springe/Germany
www.paulmann.com

Art.-Nr.:

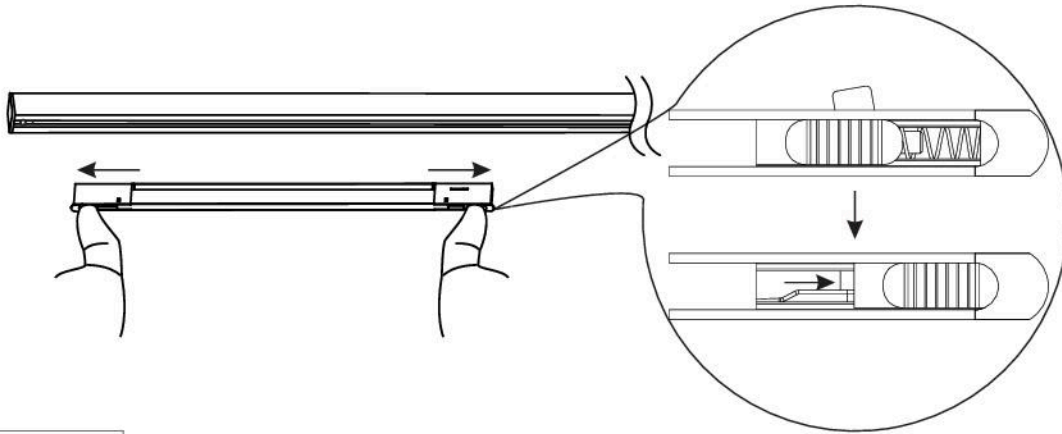
951.29

(+MA 173)
PH 07/13 



1X

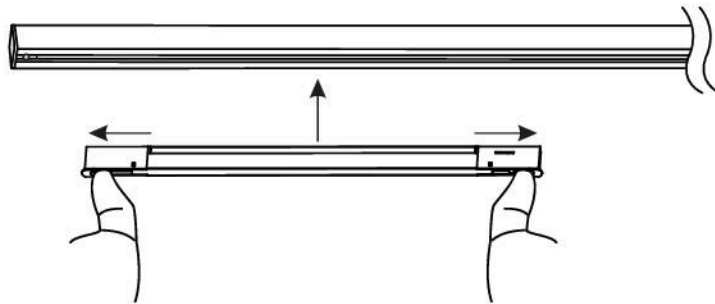
A



Safety Instructions

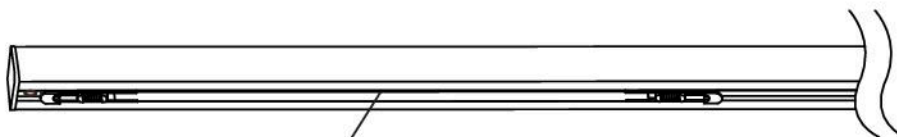
Nr.0,1

B



Safety Instructions

Nr.0,1,4



A.B