



Paulmann

Safety Instructions

1, 2, 3, 4, 5, 6, 7, 8, 28, 33, 34



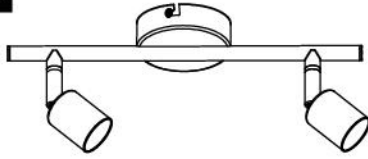
Info

www.paulmann.com

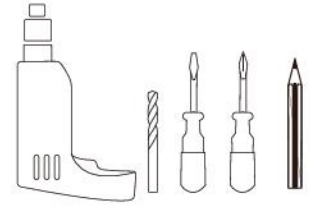
Paulmann Licht GmbH
Quezinger Feld 2
31832 Springe
Germany

www.paulmann.com

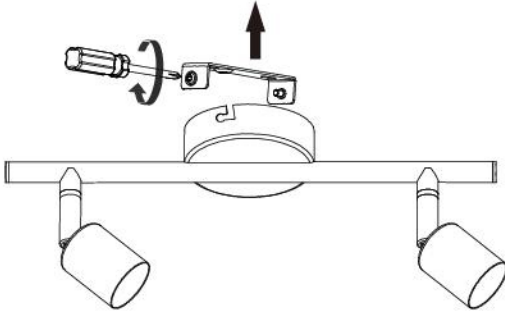
Art.-Nr.: 667.44
(+MA 326) PUP 12/18



Incl.

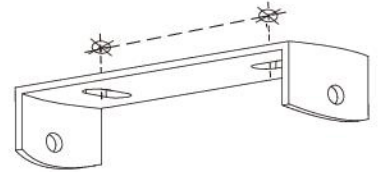
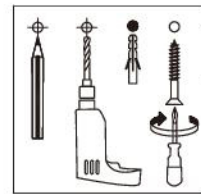


A



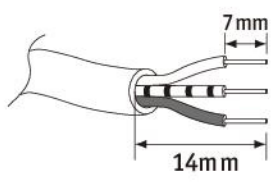
B

Safety Instructions
Nr. 5,6,7 off

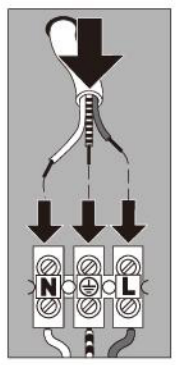


C

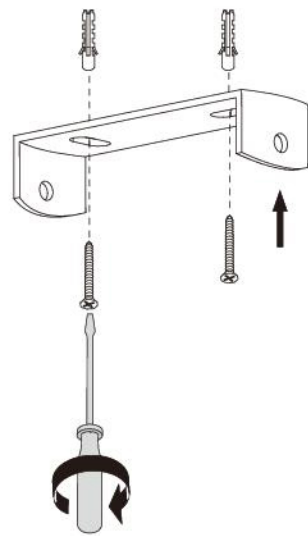
Safety Instructions
Nr. 5,28 off



230V

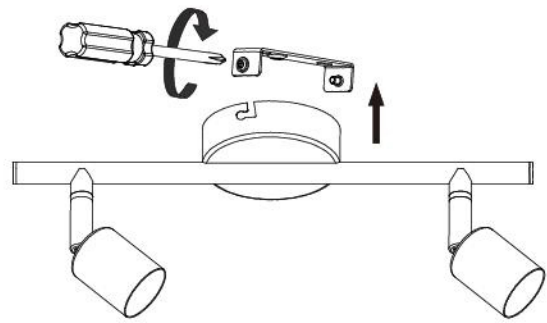


D



E

Safety Instructions
Nr. 5 off



F

Safety Instructions
Nr. 5 off

